

- COMPATABILITY** - Lock / Lifting point designed to suit std industry keys
- STRENGTH** - Load tested to 11.00 tonne (loads as per AS3996)
- SAFETY** - Slip resistant (tested to meet AS4586 Class V)
- LOCKDOWN** - Lockdown insert - no unauthorised entry
- LIGHTWEIGHT** - 900 x 600 Clear Opening GAA Type Insert = 25kg
- VERSATILITY** - Can be used in conjunction with precast frame
- RANGE** - Custom sizes & colours supplied on request
- GRID PATTERN** - Aesthetically attractive anti-slip pattern

<i>GRID-LITE SIDE ENTRY COVERS</i>	Product Code
GRID-LITE SE 900mm x 600mm Frame & Insert	28.200
GRID-LITE SE 900mm x 900mm Frame & Insert	28.205

<i>GRID-LITE JUNCTION COVERS</i>	Product Code
GRID-LITE JP 600mm x 600mm Frame & Insert - GAA	28.120
GRID-LITE JP 750mm x 750mm Frame & Insert	28.130
GRID-LITE JP 900mm x 600mm Frame & Insert	28.100
GRID-LITE JP 900mm x 600mm Frame & Insert - GAA	28.310
GRID-LITE JP 900mm x 900mm Frame & Insert	28.140
GRID-LITE EXT Frame & Insert- Casey	28.202

- * Stock colours - Green, Grey, & Charcoal
- * Custom sizes & colours available on request
- * Manufactured & tested to comply with GAA Requirements



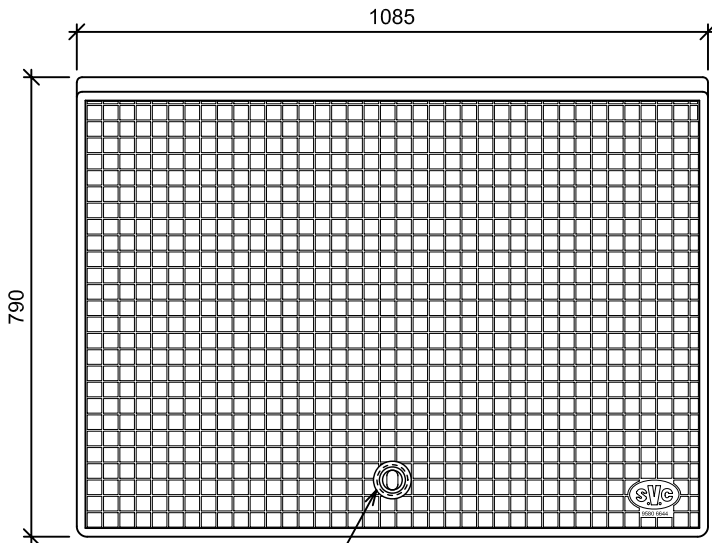
S.V.C PRODUCTS PTY LTD
 38 Japaddy Street, Braeside. 3195.
 Ph. 03 9580 6644 Fax. 03 9587 2805
 Email: sales@svc.net.au
 www.svc.net.au
 ABN 96 004 279 458



PRODUCT DRAWING

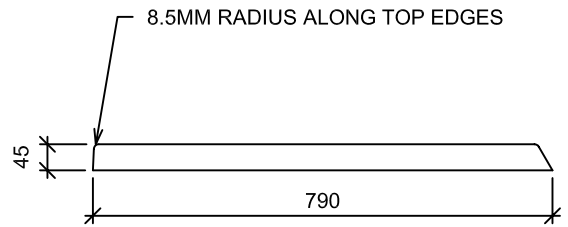
SVC PRODUCTS PTY LTD
 38 Japaddy St, Mordialloc, Vic, 3195
 Ph: 9580 6644 Fax: 9587 2805
 sales@svc.net.au
 www.svc.net.au
 ABN 96 004 279 458

SVC PRODUCT CODE	28.200 & 28.300
PRODUCT DESCRIPTION	900 X 600 GRID-LITE FR AND COVER - S/E

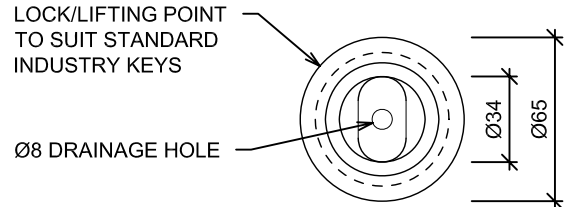


LOCK / LIFTING POINT,
SEE DETAIL A

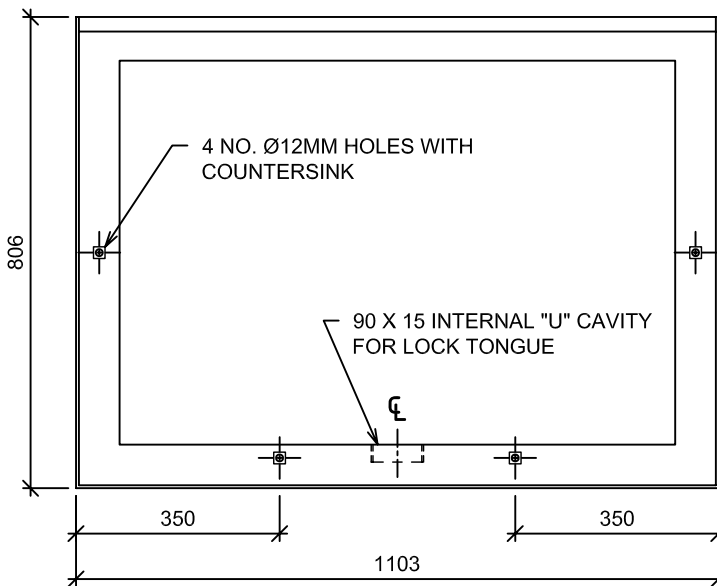
Insert detail
Plan of cover as installed



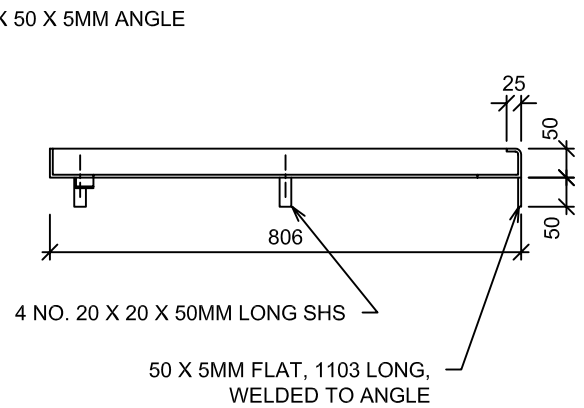
Cover - Width section



Detail A



Frame detail
Plan of frame as installed



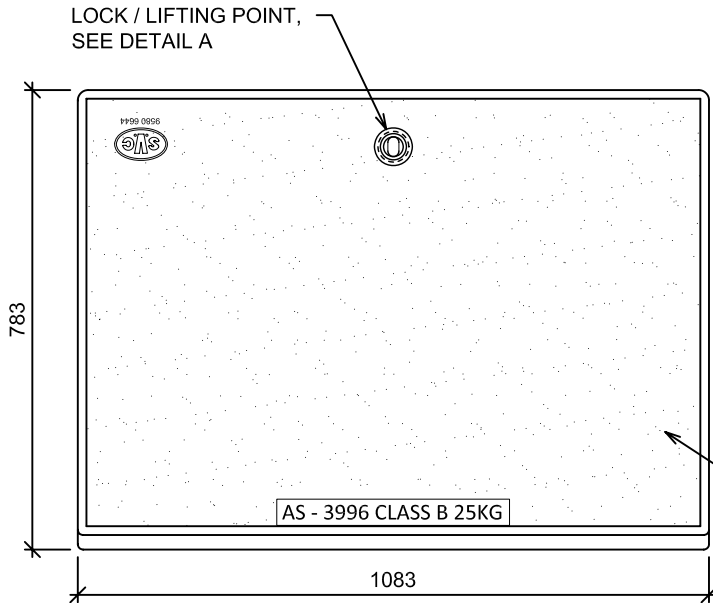
Frame - Width section



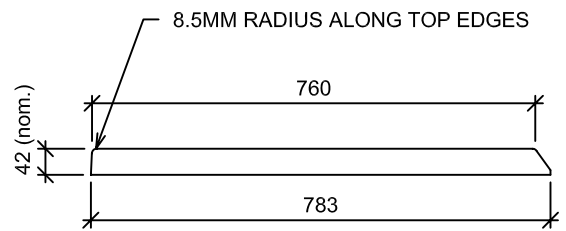
PRODUCT DRAWING

SVC PRODUCTS PTY LTD
 38 Japaddy St, Mordialloc, Vic, 3195
 Ph: 9580 6644 Fax: 9587 2805
 sales@svc.net.au
 www.svc.net.au
 ABN 96 004 279 458

SVC PRODUCT CODE	28.100 & 28.310
PRODUCT DESCRIPTION	900 X 600 GRID-LITE FR AND COVER - GAA TYPE



Insert detail
Plan of cover as installed

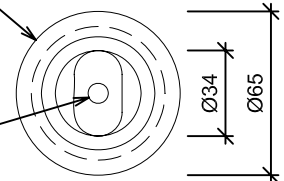


Cover - Width section

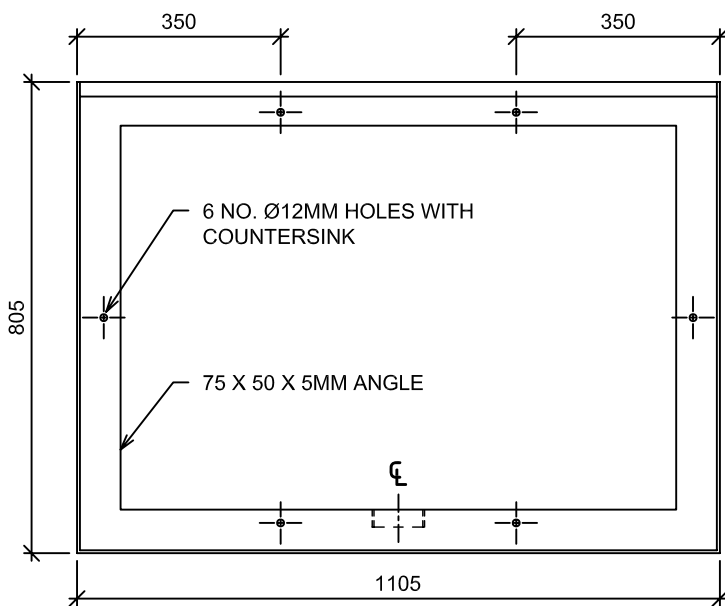
ANTI SLIP FINISH TO TOP OF INSERT

LOCK/LIFTING POINT TO SUIT STANDARD INDUSTRY KEYS

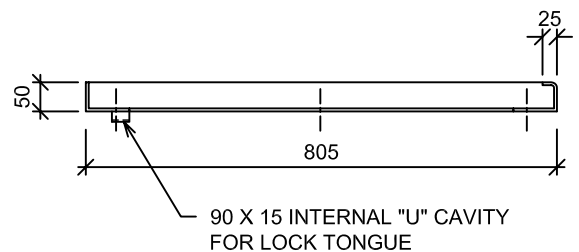
Ø8 DRAINAGE HOLE



Detail A



Frame detail
Plan of frame as installed



Frame - Width section