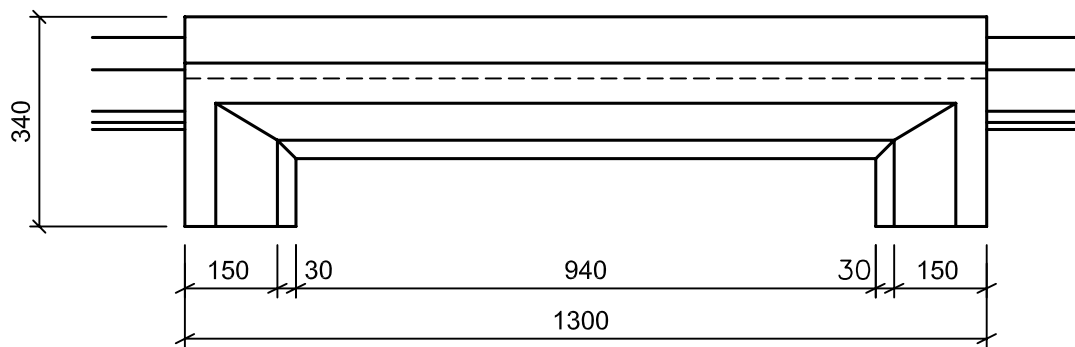




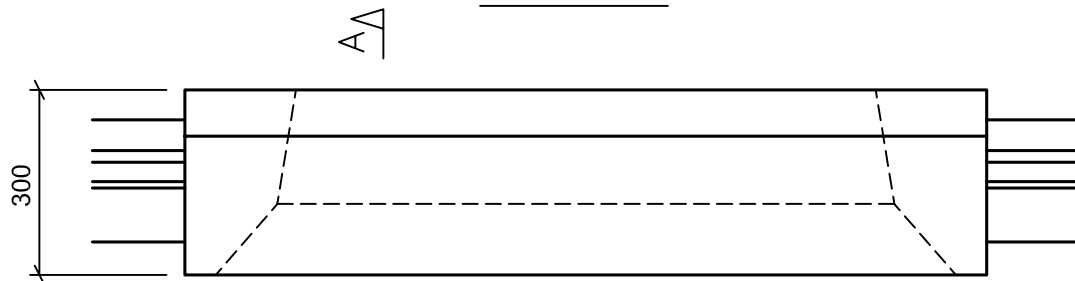
# PRODUCT DRAWING

SVC PRODUCTS PTY LTD  
38 Japaddy St, Braeside, Vic, 3195  
Ph: 9580 6644 Fax: 9587 2805  
sales@svc.net.au  
www.svc.net.au  
ABN 96 004 279 458

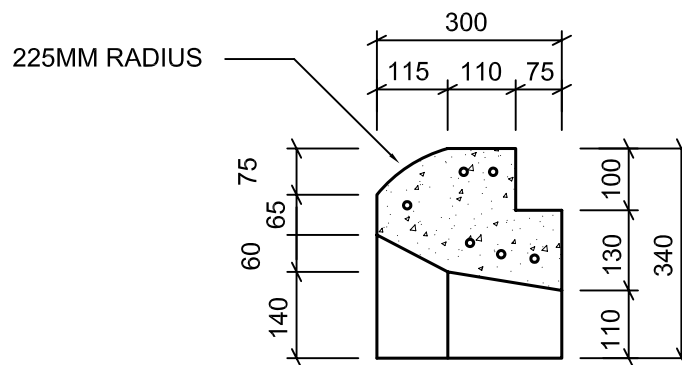
SVC PRODUCT CODE	15.308
PRODUCT DESCRIPTION	1300 K/LINTEL RCA SM W/LEGS



ELEVATION



PLAN



SECTION A-A