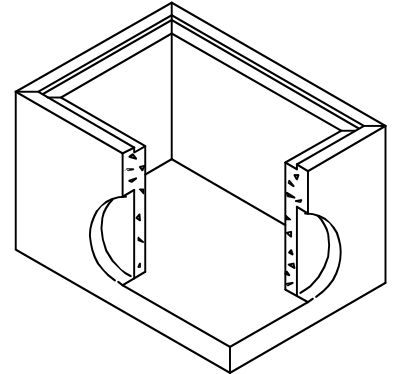
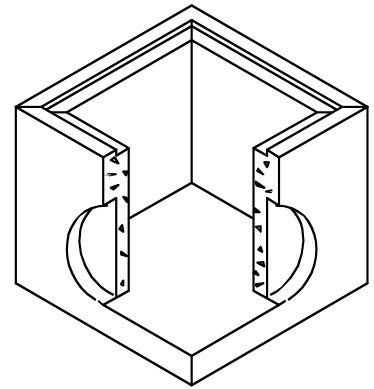
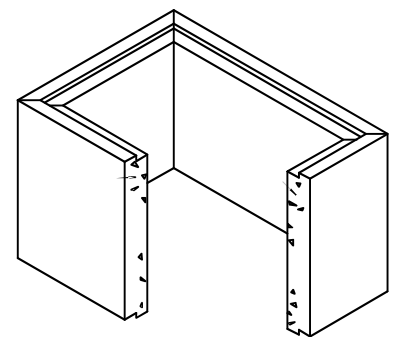
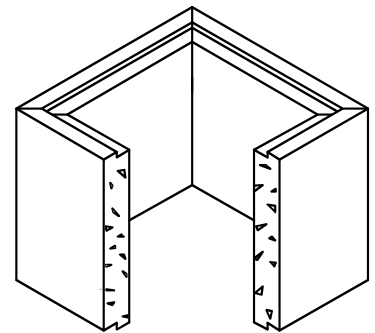


PRECAST PIT BASES	Product Code
450mm x 450mm Pit Base x 450mm Deep	18.201
450mm x 450mm Pit Base x 600mm Deep	18.202
450mm x 450mm Pit Base x 900mm Deep	18.203
600mm x 600mm Pit Base x 450mm Deep	18.221
600mm x 600mm Pit Base x 600mm Deep	18.222
600mm x 600mm Pit Base x 900mm Deep	18.223
600mm x 600mm Pit Base x 1200mm Deep	18.224
900mm x 600mm Pit Base x 600mm Deep	18.242
900mm x 600mm Pit Base x 900mm Deep	18.243
900mm x 600mm Pit Base x 1200mm Deep	18.244
900mm x 900mm Pit Base x 600mm Deep	18.262
900mm x 900mm Pit Base x 900mm Deep	18.263
900mm x 900mm Pit Base x 1200mm Deep	18.264



PRECAST PIT RISERS	Product Code
450mm x 450mm Pit Riser x 300mm Deep	18.205
450mm x 450mm Pit Riser x 450mm Deep	18.206
450mm x 450mm Pit Riser x 600mm Deep	18.207
600mm x 600mm Pit Riser x 300mm Deep	18.225
600mm x 600mm Pit Riser x 600mm Deep	18.227
600mm x 600mm Pit Riser x 900mm Deep	18.228
600mm x 600mm Pit Riser x 1200mm Deep	18.229
900mm x 600mm Pit Riser x 300mm Deep	18.245
900mm x 600mm Pit Riser x 600mm Deep	18.247
900mm x 600mm Pit Riser x 900mm Deep	18.248
900mm x 600mm Pit Riser x 1200mm Deep	18.249
900mm x 900mm Pit Riser x 300mm Deep	18.265
900mm x 900mm Pit Riser x 600mm Deep	18.267
900mm x 900mm Pit Riser x 900mm Deep	18.268
900mm x 900mm Pit Riser x 1200mm Deep	18.269



- * Nominal sizes are internal dimensions
- * Nominal wall thickness = 100mm
- * Custom Pits & Risers can be manufactured to order
- * Installed Step Irons - \$25.00 per unit
- * Side Entry units 900mm x 600mm available ex stock



S.V.C PRODUCTS PTY LTD
 38 Japaddy Street, Braeside. 3195.
 Ph. 03 9580 6644 Fax. 03 9587 2805
 Email: sales@svc.net.au
 www.svc.net.au
 ABN 96 004 279 458